



## Summarize

This product has 3 channels of output, compatible with various kinds of LED lamps, to achieve the brightness adjustment.

Its panel adopts import material, base is excellent PC, not change color, strong anti-pounds; The appearance is popular line type, with some radian, pretty and convenient; Adopt high quality components and Improved circuit to avoid wave current and sparkle. make delicate, soft and limitless brightness regulation, no flicker.

## Operation instruction

Modes: There are four modes- bright CH1、 bright CH2、 bright CH3 and CH1、 CH2、 CH3 all bright output brightness.

Push the button to change mode. Turn left to decrease the brightness, turn right to increase the brightness. Totally 55 levels of brightness adjustment. Products selected for the 30 week, the pulse of the pulse switch, 5 to 55 pulse of 0 ~ 100% output brightness.

3 channels of output, suitable for full color LED lamps.

## Specification

Item	Input Voltage	Output power	Channel	power consumption	Color	Size
CT102	12~24VDC	5A	3	≤0.5W	Silver	87*87*67mm

## Features

Adopt high quality components, avoid wave current, protract the LED's life;

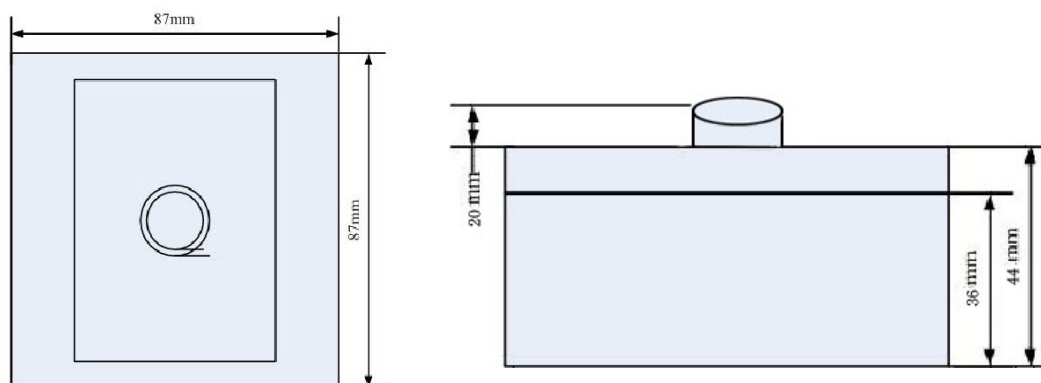
Improved circuit, light-regulating is stability, no flicker;

Delicate, soft and limitless brightness regulate;

Interference-defending circuit inside, no influence to the appliances;

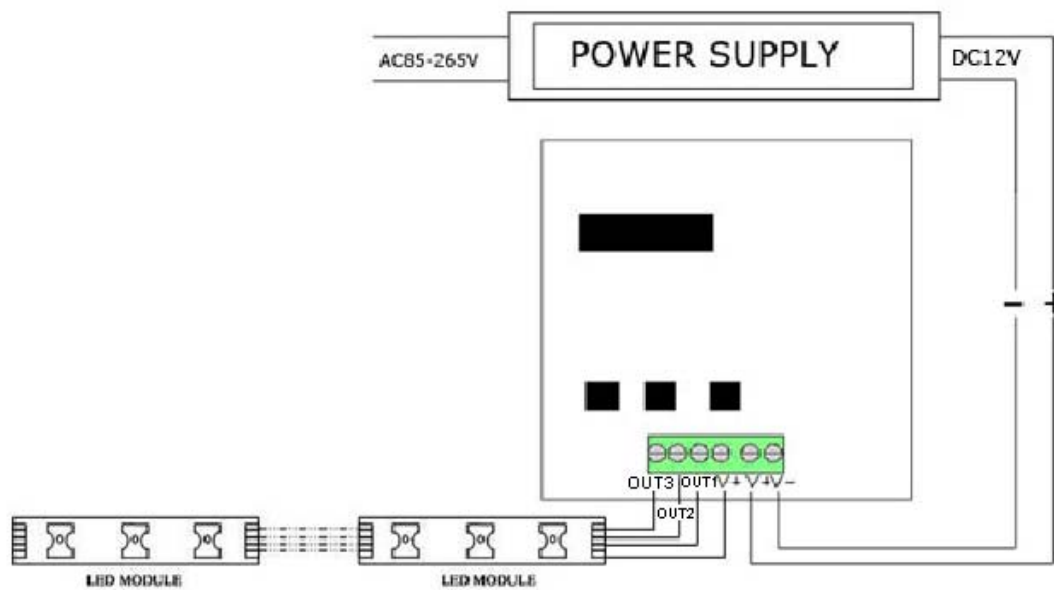
Operating Temperature: - 20°C - 50°C.

## Size



### Installation

- 1、 2-core input and 4-core output. Please note the input voltage is 12~24VDC.
- 2、 Please install by electrician,select a proper location and distinguish the power wire and load wire.
- 3、 Do not install when power is on,dis-connect the load if can not avoid.
- 4、 Wiring



### Announcements

- 1、 Not proper for using in high temperature,unstable voltage or dankish place.
- 2、 Only test for LED,not guarantee for other use.